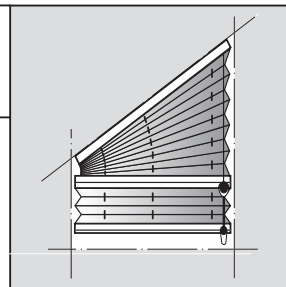


Montage- en gebruikershandleiding

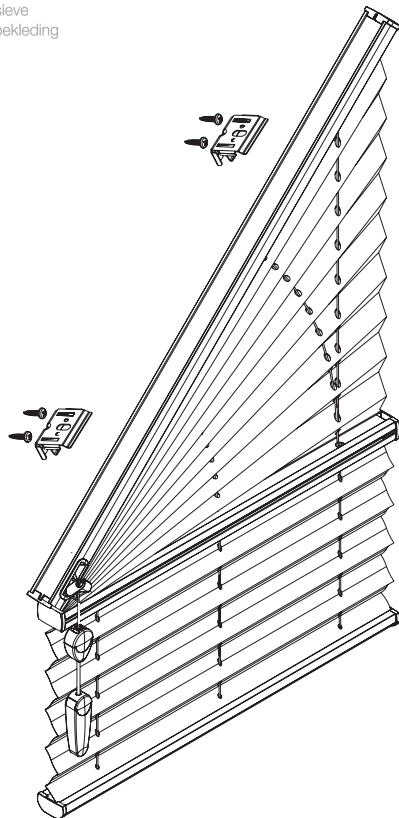
Montage op kozijn / wand [F1] op de dag

A0 40
(21° - 50°)

- Do not damage the product when using a sharp knife to open the packaging!
- Fitting screws: Use a size-2 screwdriver (POZIDRIVE), or use a 3.6 Volt electric screwdriver at it's lowest torque.
- Rail removal: Use a flat screwdriver, size Nr. 2.
- Only use the original screws enclosed, to prevent malfunctioning from using too thick screw heads!



sunway | exclusieve raambekleding



Installatiebreedte	Aantal onderdelen	
0 - 55 cm	2	1
56 - 100 cm	3	1
101 - 145 cm	4	1
146 - 190 cm	5	1
191 - 230 cm	6	1

